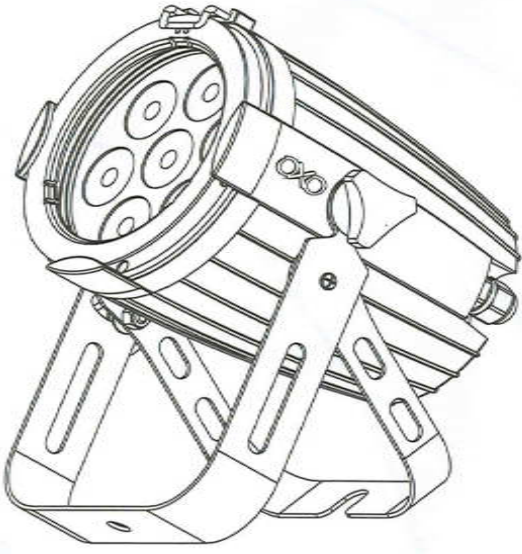


Gebruiksaanwijzing OXO Minibeam LED:



Verhuur van horecabenoedigheden
en tenten
Alkmaar Tel. 072-5112704
www.hekeltje.nl

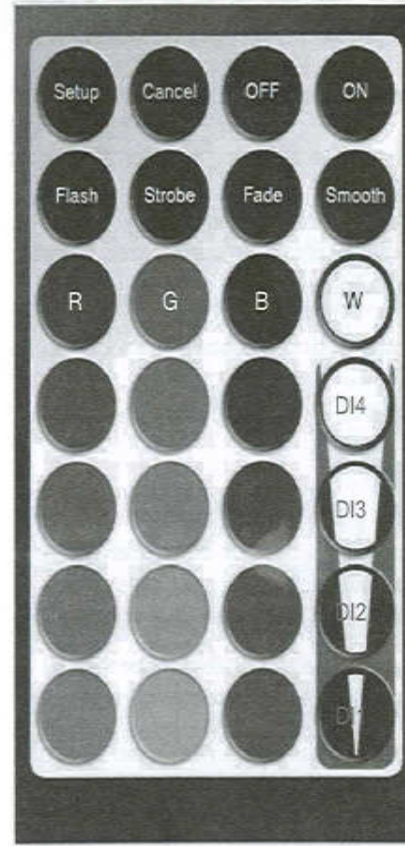
OPERATION INSTRUCTIONS

- 1) The system has DMX online and stand-alone mode. DMX online mode can link other units and be controlled by DMX controller; The stand-alone has some functions of sound, Auto Mixcolor and Strobe and so on..When Slave fixture is under No-DMX / No IR OFF mode then it will turn DMX mode 4 with DMX signal.
- 2) Master / Slave Setting: The master (MODE5-MODEL 12/IR mode), and the slave(MODE1/2/4). When there is DMX signal, Master turns into DMX mode3 (mode 3 don't change). If not, fixture turn back to the last mode.
- 3) If a DMX signal is present under Online mode, the DMX LED will blink very fast to indicate, While under Master / Slave mode, Master's LED indicator will light and Slave's one will blink to indicate.
- 4) Display screen will turn off after 10s. In this condition, pressing any keys is useless; turning back when, pressing any keys with 3s. In OFF mode, IR's function is not restrict, it runs usual, but screen is off.
- 5) In IR mode, pressing any keys, the fixture would turn back to the last mode.
- 6) With any R/G/B/W output, the fan will on. W/O R/G/B/W output, after 3s, the fan stops.
- 7) The Ramp Mode(dr1-dr5) allow you to set output with delay or not when the DMX values change. dr2-dr5 set the output light with delay from min to max, this conlignatation is to work with slow smooth fade. dr1 set the output light without delay to work with rapid effect like flash.

1. IR INSTRUCTIONS

DISPLAY	BUTTON NAME	FUNCTION DESCRIPTION
:0000:	MODE	Select your desire mode.
	UP	DMX: select address; run AUTO MODE; adjust MODE speed. MACRO : select color.
	DOWN	DMX: select address; To run AUTO MODE. adjust MODE speed. MACRO : select color.

IRC161 REMOTE CONTROL USER MANUAL



- 01) Setup: enter remote control mode.
- 02) Cancel: exit remote control mode, back to the target lamp control mode of before entering remote control mode.
- 03) OFF: turn off the target lamp.
- 04) ON: back to the remote condition of before turning off the target lamp.
- 05) Flash: 7 colors strobe mode+8steps speed regulation.
- 06) Strobe: Strobe mode+8steps speed regulation. (R/G/B/W 0:OFF, 1-255 JOIN IN).
- 07) Fade: fade mode+8steps speed regulation. The color is decided by the color keys on the remote control (R/G/B/W 0:OFF, 1-255 JOIN IN).
- 08) Smooth: Auto-Mixcolor mode+8steps speed regulation.
- 09) DI1 - DI4 : with other macro mode white value (0%,25%, 50%,75%,100%) or total value rate for (Flash, Strobe, Fade, Smooth) (25%,50%,75%,100%).
- 10) The rest keys show Mixcolor mode.
- 11) Infrared ray remote control should control Distance and Beam Angle, Distance <5M, Beam Angel $\pm 30^\circ$ best.
- 12) When in the short distance or the remote control can not work, please check whether the battery has exhausted!

Macro mode

MACRO	R	G	B	E
black	0	0	0	0
macro mode 1	0	0	128	0
macro mode 2	0	0	192	0
macro mode 3	0	0	255	0
macro mode 4	0	128	0	0
macro mode 5	0	128	128	0
macro mode 6	0	128	192	0
macro mode 7	0	128	255	0
macro mode 8	0	255	0	0
macro mode 9	0	255	128	0
macro mode 10	0	255	192	0
macro mode 11	0	255	255	0

MACRO	R	G	B	E
macro mode 12	128	0	0	0
macro mode 13	128	0	128	0
macro mode 14	128	0	192	0
macro mode 15	128	0	255	0
macro mode 16	128	128	0	0
macro mode 17	128	128	128	0
macro mode 18	128	128	192	0
macro mode 19	128	128	255	0
macro mode 20	128	255	0	0
macro mode 21	128	255	128	0
macro mode 22	128	255	192	0
macro mode 23	128	255	255	0

REMOTE CONTROL MODE MONITOR CONDITION



NO.	KEY	DISPLAY & FUNCTION
1	Setup	* IR MODE *
2	Cancel	Exit remote control mode
3	OFF	* IR MODE off *
4	ON	Back to the condition of before entering OFF
5	Flash	* IR MODE flash 01 *
6	Strobe	* IR MODE strobe 01 *
7	Fade	* IR MODE fade 01 *
8	Smooth	* IR MODE smooth XX *
		MACRO MODE
9	DI1	White Dimmer 0%
10	DI2	White Dimmer 25%
11	DI3	White Dimmer 50%
12	DI4	White Dimmer 75%
13	W	White Dimmer 100%
		FUNCTION MODE
14	R	* IR MODE 00 *
15	G	* IR MODE 01 *
16	B	* IR MODE 02 *
17	04	* IR MODE 04 *
18	05	* IR MODE 05 *
19	06	* IR MODE 06 *
20	07	* IR MODE 07 *
21	08	* IR MODE 08 *
22	09	* IR MODE 09 *
23	10	* IR MODE 10 *
24	11	* IR MODE 11 *
25	12	* IR MODE 12 *
26	13	* IR MODE 13 *
27	14	* IR MODE 14 *
28	15	* IR MODE 15 *

2. DISPLAY FUNCTION INSTRUCTIONS

NO.	MODE	DISPLAY	FUNCTION DESCRIPTION
1	DMX mode 1 (1CH)	1XXX (XXX=001-512)	Macro Mode
2	DMX mode 2 (2CHS)	2XXX (XXX=001-512)	Macro Mode (Ch1) + adjust luminance (Ch2)
3	DMX mode 3 (4CHS)	3XXX (XXX=001-512)	R(CH1), G(CH2), B(CH3), W(CH4)
4	DMX mode 4 (8CHS)	4XXX (XXX=001-512)	DMX MODE
5	Manual Macro mode 1	ncXX (XX=00-35)	35 Colors + black, Macro value
6	R Manual mode (static)	r XXX (XXX=000-255)	R adjust luminance , 000-255
7	G Manual mode (static)	g XXX (XXX=000-255)	G adjust luminance , 000-255
8	B Manual mode (static)	b XXX (XXX=000-255)	B adjust luminance , 000-255
9	W Manual mode (static)	u XXX (XXX=000-255)	W adjust luminance , 000-255
10	Manual strobe setting	SXX (XX=00-99)	Adjust strobe speed, 00-99: No-strobe-strobe fastest
11	Manual fade mixcolor mode	ShXX (XX=00-15)	Adjust fade mix-color speed, 00 slowest, 15 fastest
12	7 colors strobe	FLXX (XX=00-15)	Adjust 7 colors strobe speed, 00 slowest, 15 fastest
13	Audio mode	So	7 colors sound control
14	Display screen	ds-1	Display screen permanent light
		ds-2	Display screen will turn off 10s. In this condition pressing any keys is useless; turning back after pressing keys 3s.
15	Ramp Mode	dr-1	The output light is normal without delay
		dr-X(X=2-5)	The output light is with delay, dr-2 the shortest time with delay and dr-5 is the longest time with delay.

3. DMX FUNCTION

1 > DMX MODE 1 (1 CH, DISPLAY: 1XXX; XXX = DMX address, press up/down change DMX address.									
Figure 1	CH1(0 - 255)	Function							
DMX mode 1	Macro	35 colors setting + black							
2 > DMX MODE 2 (2 CH, DISPLAY: 2XXX; XXX = DMX address, press up/down change DMX address.									
Figure 2	CH1(0 - 255)	CH2(0 - 255)	Function						
DMX mode 2	Macro	luminance	35 colors setting + luminance						
3 > DMX MODE 3 (4 CH, DISPLAY: 3XXX; XXX = DMX address, press up/down change DMX address.									
	CH1(0 - 255)	CH2(0 - 255)	CH3(0 - 255)	CH4(0 - 255)	Function				
DMX mode 3	R	G	B	W	R/G/B/W luminance setting				
4 > DMX MODE 4 (8 CH, DISPLAY: 4XXX; XXX = DMX address, press up/down change DMX address.									
Mode	CH1	CH2	CH3	CH4	CH5	CH6	CH7	CH8	Function
	R	G	B	W	Macro	Speed/Strobe	Mode	Master DIM	
(0-35) Adjust colors	0	0	0	0	0-13(off)	0-15: static 16-255: 16 different strobe	(0-35) Adjust colors		No out RGBW/Strobe 35 colors macro mode
(36-71)	0 - 7 : OFF 8 - 255 JOIN IN						(36-71)		Light mode
(72-107)							(72-107)		Dim mode
(108-143)							(108-143)		Light and Dim mode
(144-179)					NA	0-255: 16 different speed	(144-179)		Auto mix color mode
(180-215)	NA	NA	NA	NA			(180-215)		3 colors strobe
(216-251)							(216-251)		7 colors strobe
7 colors audio control (252-255)					NA	NA	7 colors audio control (252-255)		Light changes with sound value

MACRO	R	G	B	E
macro mode 24	255	0	0	0
macro mode 25	255	0	128	0
macro mode 26	255	0	192	0
macro mode 27	255	0	255	0
macro mode 28	255	128	0	0
macro mode 29	255	128	128	0
macro mode 30	255	128	192	0
macro mode 31	255	128	255	0
macro mode 32	255	255	0	0
macro mode 33	255	255	128	0
macro mode 34	255	255	192	0
macro mode 35	255	255	255	255

